

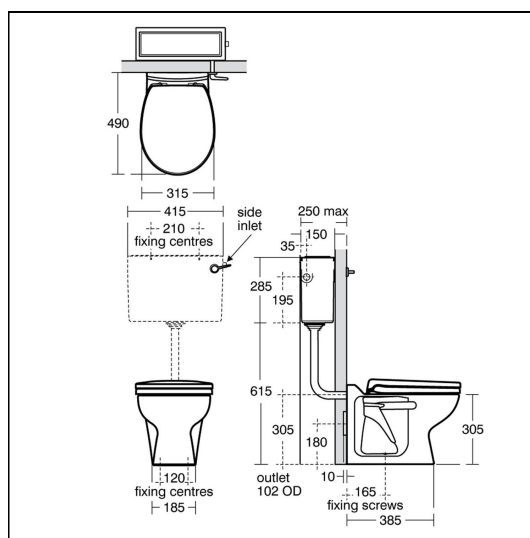
Contour 21 Back To Wall /CC WC Pan 305mm high

ILLUSTRATED

- S3046** Contour 21 schools, back to wall and close coupled WC pan with horizontal outlet, 305mm high
- S3617** Conceala 2 cistern 4.5 or 6 litre single flush syphon side supply and internal overflow plastic flushbend, long CP lever
- S4057** Contour 21 toilet seat no cover for 305mm high pan, bottom fixing hinges
- S9101** Domex screws (pair)

OPTIONS

- S3640** Conceala 2 cistern 4.5 litre single flush valve side supply and internal overflow, alternative height plastic flushbends
- S3599** Sensorflow 21 WC flushing device, panel mounted sensor complete with concealed valve and 4 or 4.5 litre duct cistern
- S3643** Conceala 2 cistern 4.5/3 or 4/2.6 litre dual flush valve side supply and internal overflow, alternative height plastic flushbends, no flushplate
- S4056** Contour 21 toilet seat with cover for 305mm high pan, bottom fixing hinges
- S4513** Palm push button Pneumatic, stainless steel for 31mm maximum thickness partition
- S4305** Panekta outlet Connector, finned pattern to convert horizontal outlet WCs to P trap
- S4300** Panekta outlet Connector, finned pattern to convert horizontal outlet WCs to S or turned P trap



ILLUSTRATED PRODUCT DETAILS

Weights

- S3046** 15.00 KG
- S3617** 3.00 KG
- S4057** 1.20 KG
- S9101** 0.22 KG

Materials

- S3046** Vitreous China
- S3617** Plastic
- S4057** Plastic
- S9101** Metal

Finishes

- S3046** White (01)
- S3617** Neutral / No Finish (67)
- S4057** White (01)
- S9101** White (01)

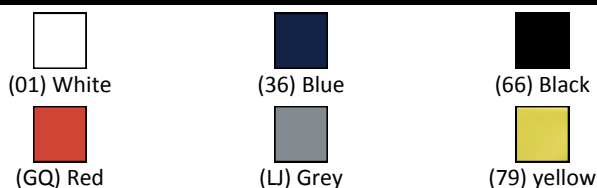
Capacity

- S3617** 5 litres

Designer

Robin Levien, RDI

FINISH OPTIONS



ACCREDITATIONS

S3617(67)



S3640(67)



S3599(67)



S3643(67)



Contour 21 Back To Wall /CC WC Pan 305mm high

FEATURES

