

Sensorflow 21 Washbasin Tall Spout Electronic Sensor, Mains

ILLUSTRATED

A4171 Sensorflow 21 washbasin mounted tall spout with integral sensor, anti vandal laminar flow outlet, copper tube inlet, servicing valve and filter, mains

ILLUSTRATED PRODUCT DETAILS

Weights

A4171 3.60 KG

Finishes

A4171  Chrome (AA)

Materials

A4171 Chrome Plated
Brass

Flow rates

A4171 3.7 Litres per minute
@ 3 bar pressure

FINISH OPTIONS



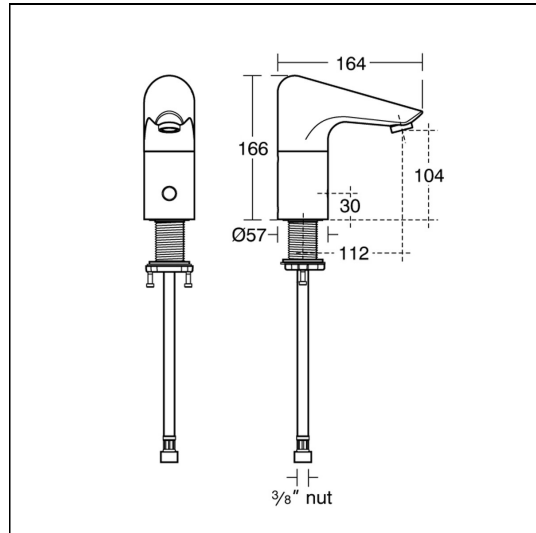
(AA) Chrome



(GN) Ultra Steel

Special Notes

Designed to be supplied with pre-mixed water. Consideration should be given to safe hot water delivery and the use of an appropriate temperature reduction device see A5900. The sensor is set to work in the normal handwashing position. All spouts supplied complete with individual solenoid valve, copper tube inlet and combined servicing valve and filter. Spouts with integral sensors detect hands within the sensing range and the solenoid valve is opened. Automatically shuts off if sensor is obstructed for a maximum of 55 seconds. Mains powered transformer with option to use up to 5 link units per main unit or stand alone battery powered units. Flow rate regulated to 3.7 litres per minute.



ACCREDITATIONS



Sensorflow 21 Washbasin Tall Spout Electronic Sensor, Mains

FEATURES

