

Sandringham 21 Washbasin Pillar Taps Lever Handles

ILLUSTRATED

**B9881** Sandringham 21 washbasin pillar taps, lever handles

ILLUSTRATED PRODUCT DETAILS

**Weights**

**B9881** 1.10 KG

**Materials**

**B9881** Chrome Plated  
Brass

**Finishes**

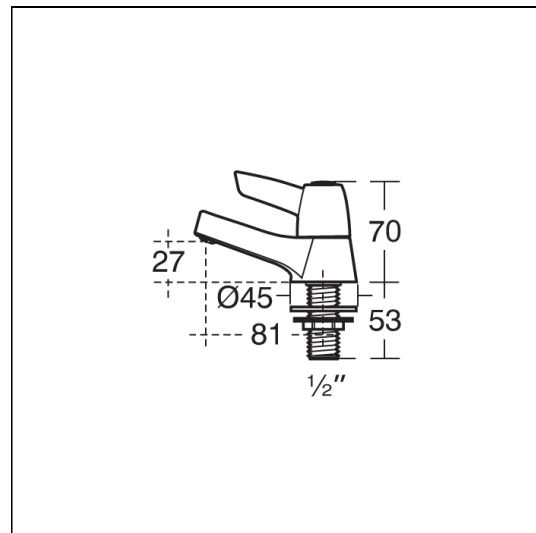
**B9881**  Chrome (AA)

**Flow rates**

**B9881** 8 Litres per minute  
@ 3 bar pressure

**Special Notes**

Suitable for balanced/unbalanced supplies. Inlets screwed 1/2in BSP male, coned for copper. Consideration should be given to safe hot water delivery and the use of an appropriate temperature reduction device see S7435AA. Water saving can be achieved by use of a flow regulators such as L6935NU to deliver maximum of 4 Litres per minute. Unregulated flow rate 8.2 litres per minute at 0.1 bar.



ACCREDITATIONS

