



Applications

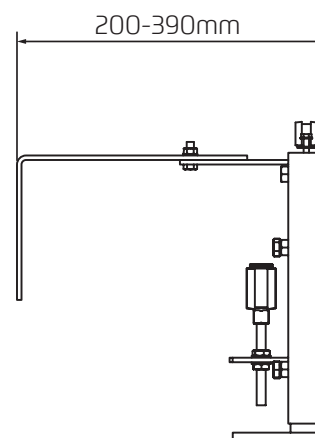
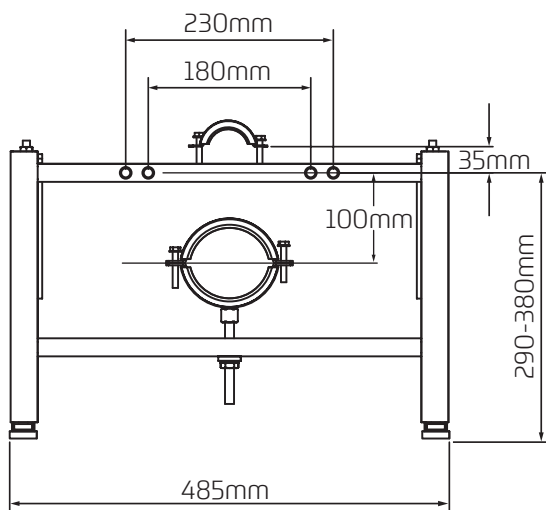
Wall-hung WC pan support frame designed for use against flat walls and in corners; ideal for most domestic and commercial applications.

Features

- ~ Wall and floor fixing brackets can be fixed through 180 degrees and 360 degrees respectively to simplify installation
- ~ Legs adjust to 290 - 380MM, offer WC pan height fixing flexibility
- ~ Strong steel square hollow construction
- ~ Blue powder coated finish & zinc plated wall & floor brackets
- ~ Load tested to 4kN to ensure compliance with BS EN 997 when fitted with a wall-hung pan
- ~ Flushbend and WC pan connector clamps



Dimensional Data



Technical Data

Fixing orientation	Wall and floor fixed
Load capacity	Tested to 4kN
Code	314802