

WC FLUSHVALVE KIT 1 1/2"

WC03-002

The DVS no-touch WC flushing system is an electronically operated drop valve which replaces the traditional syphon and delivers a WRAS Approved 4L single flush from the cistern to the lavatory bowl.

PRODUCT NUMBER

WC03-002 WC Flushvalve Kit

TECHNICAL DATA

Flushvalve:

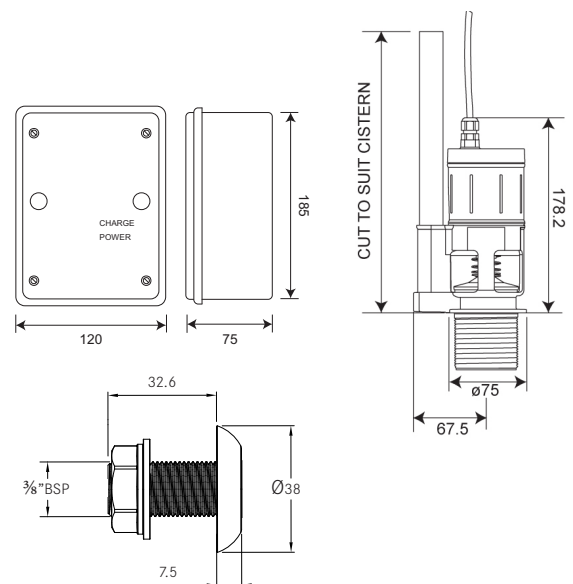
Weight	1.05 kg
Material	ABS Plastic
Power supply	Through WC control box
Fixing size	Ø1 1/2" standard
Internal overflow	Yes
Type of operation	Sensor operation or Tactile button
Type of mounting	WC flush valve
Functional principle	Electronic self closing
Failsafe close	Yes

Control Box:

Weight	1 kg
Material	ABS Plastic
Run Times	0.25 - 6.75 seconds
Power source	230V a.c.
IP rating	54
Amps	0.07A (MAX)
Frequency	50Hz
Voltage	230 V.a.c.

Wave On Sensor:

Material	Chromed brass
Surface finish	Polished
Gross weight	0.2 kg
Overall dimensions	40.1 mm (L) x Ø38mm
Thread diameter	Ø16.66mm (3/8" BSP)
Type of mounting	Wall mounted (Ø18mm drill hole required)
Operation type	A.I.R (Active Infrared) touch-free
Cable length	3m
Adjustable settings	Dictated by control box or programmable sensor & remote



ALL DIMENSIONS IN MM

2016-09-21, Dart Valley Systems

