

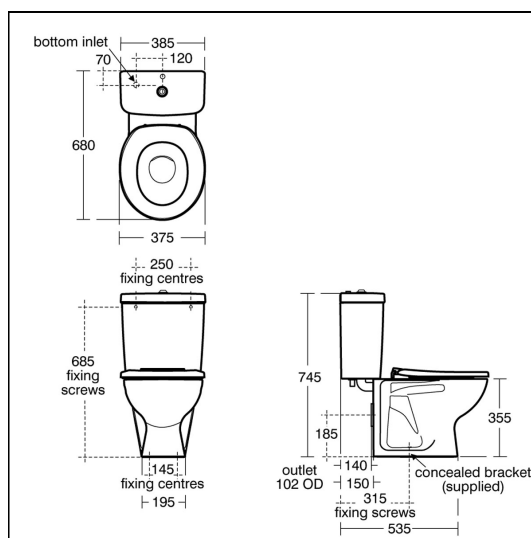
Contour 21 Back To Wall /CC WC Pan 355mm high

ILLUSTRATED

- S3047** Contour 21 schools, back to wall and close coupled WC pan with horizontal outlet, 355mm high
- S3617** Conceala 2 cistern 4.5 or 6 litre single flush syphon side supply and internal overflow plastic flushbend, long CP lever
- S4059** Contour 21 toilet seat no cover for 355mm high pan, bottom fixing hinges
- S9101** Domex screws (pair)

OPTIONS

- S3599** Sensorflow 21 WC flushing device, panel mounted sensor complete with concealed valve and 4 or 4.5 litre duct cistern
- S3640** Conceala 2 cistern 4.5 litre single flush valve side supply and internal overflow, alternative height plastic flushbends
- S3694** Contour 21 schools close coupled delay fill, valve cistern 4/2.6 litre dual flush push button bottom supply and internal overflow
- S3696** Contour 21 schools close coupled delay fill, syphon cistern 4.5 litre single flush spatula lever, bottom supply and internal overflow with secure cover fastener
- S4058** Contour 21 toilet seat and cover for 355mm high pan, bottom fixing hinges
- S4067** Contour 21 seat retaining buffers, white
- S4513** Palm push button Pneumatic, stainless steel for 31mm maximum thickness partition
- S4305** Panekta outlet Connector, finned pattern to convert horizontal outlet WCs to P trap
- S4300** Panekta outlet Connector, finned pattern to convert horizontal outlet WCs to S or turned P trap



ILLUSTRATED PRODUCT DETAILS

Weights

- S3047** 16.40 KG
- S3617** 3.00 KG
- S4059** 1.60 KG
- S9101** 0.22 KG

Materials

- S3047** Vitreous China
- S3617** Plastic
- S4059** Plastic
- S9101** Metal

Finishes

- S3047** White (01)
- S3617** Neutral / No Finish (67)
- S4059** White (01)
- S9101** White (01)

Capacity

- S3617** 5 litres

Designer

Robin Levien, RDI

FINISH OPTIONS



ACCREDITATIONS

S3599(67)



S3617(67)



S3640(67)



S3694(01)



S3696(01)



Contour 21 Back To Wall /CC WC Pan 355mm high



(GQ) Red



(LJ) Grey



Standards

Vitreous china to BS 3402. WC pan to BS EN 997 & BS EN 33

Special Notes

WC pan screwed to floor. Joint sealed with waterproof sealant (not supplied).

FEATURES

