

Contour 21 Washbasin 60cm No Taphole No Chainstay Hole or Overflow - General Use

ILLUSTRATED

- S2155** (LB H L) Contour 21 back outlet washbasin, 60cm, no tapholes, no overflow, no chainstay hole
- S8750** Waste 1¼" outlet adaptor for all Contour back outlet washbasins
- S8920** (TRR1/P) Trap 1¼" plastic resealing bottle, 75mm seal, multi-purpose outlet
- S9112** Concealed hangers pressed Steel, toggle bolts and clips for Contour washbasins

OPTIONS

- S8746** Plastic strainer for back outlet washbasins
- A4181** Sensorflow 21 tubular panel mounted 150mm projection spout anti splash or aerated outlet remote panel sensor, copper tube inlets, link
- A4180** Sensorflow 21 tubular panel mounted 150mm projection spout anti splash or aerated outlet remote panel sensor, copper tube inlets, mains
- S7422** Contour 21 washbasin mixer wall mounted single control concealed, ceramic disc operation, 150mm projection spout with alternative aerator or flow straightener outlet, rigid copper inlet tails integral combined filter and regulating valves
- A4126** Sensorflow 21 tubular panel mounted 150mm projection spout anti splash or aerated outlet remote panel sensor, copper tube inlets, battery
- A5900** TMV Thermostatic mixing valve 15mm

ILLUSTRATED PRODUCT DETAILS

Sizes

S2155 w:60 x d:48

Weights

S2155 19.50 KG
S8750 0.17 KG
S8920 2.00 KG
S9112 0.47 KG

Materials

S2155 Vitreous China
S8750 Plastic
S8920 Plastic
S9112 Metal

Finishes

- S2155** White (01)
- S8750** Neutral / No Finish (67)
- S8920** Neutral / No Finish (67)
- S9112** Neutral / No Finish (67)

Designer

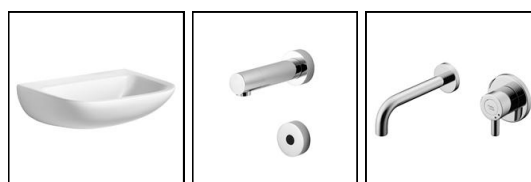
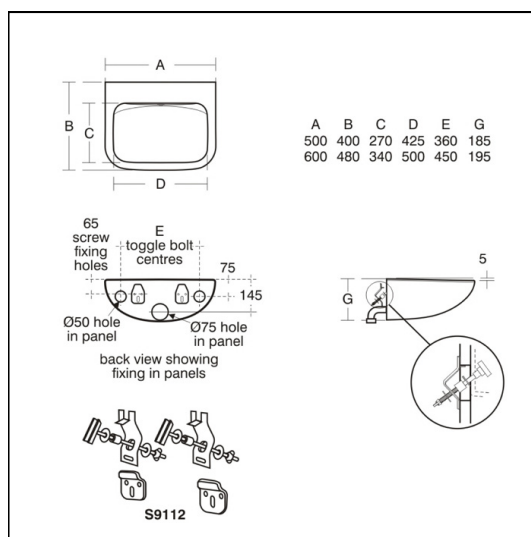
Robin Levien, RDI

Standards

Vitreous china to BS 3402

Special Notes

Suggested rim heights; 780-800 for ambulant users 680-700 for wheelchair users. Washbasin wall mounted using S9112 hangers or panel mounted using S9112 hangers, toggle bolts & clips. Toggle bolts and outlet adaptor suitable for maximum panel thickness of 18mm.



ACCREDITATIONS

A4181(AA)



A4180(AA)



A4126(AA)



Contour 21 Washbasin 60cm No Taphole No Chainstay Hole or Overflow - General Use



FEATURES

