

Sensorflow 21 Compact Washbasin Spout Integral Sensor, Mains

ILLUSTRATED

A4852 Sensorflow 21 compact washbasin mounted spout integral sensor servicing valve and filter, copper tube inlets, mains

ILLUSTRATED PRODUCT DETAILS

Weights

A4852 1.60 KG

Finishes

A4852  Chrome (AA)

Materials

A4852 Chrome Plated Brass

Flow rates

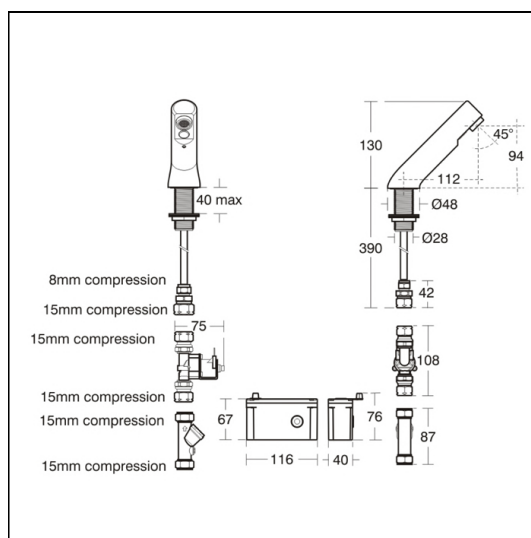
A4852 3.7 Litres per minute @ 3 bar pressure

FINISH OPTIONS



Special Notes

All spouts supplied complete with individual solenoid valve, flexible inlet tail and combined servicing valve and filter. Spouts with integral sensors detect hands within the sensing range and the solenoid valve is opened. Flow rate with factory fitted regulator is 3.7 litres per minute.



ACCREDITATIONS

A4852(AA)



3.70 Litres Per Minute



1210027

FEATURES

