

## Sensorflow 21 Compact Washbasin Spout Integral Sensor, Link

### ILLUSTRATED

**A4853** Sensorflow 21 compact washbasin mounted spout integral sensor servicing valve and filter, copper tube inlets, link

### ILLUSTRATED PRODUCT DETAILS

#### Weights

**A4853** 1.50 KG

#### Finishes

**A4853**  Chrome (AA)

#### Materials

**A4853** Chrome Plated  
Brass

#### Flow rates

**A4853** 3.7 Litres per minute  
@ 3 bar pressure

### FINISH OPTIONS



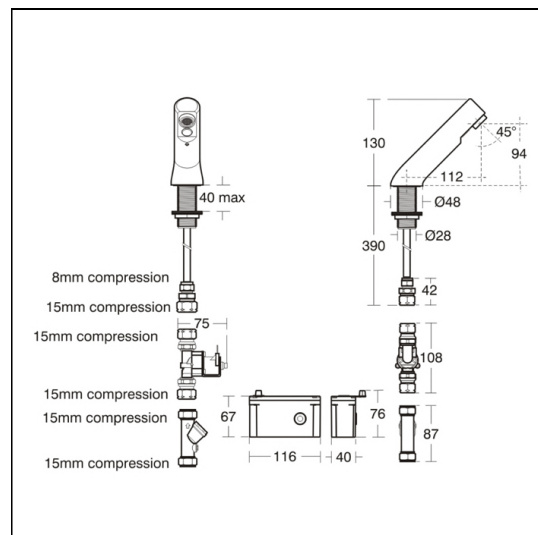
(AA) Chrome



(GN) Ultra Steel

#### Special Notes

All spouts supplied complete with individual solenoid valve, copper tube inlet and combined servicing valve and filter. Consideration should be given to safe hot water delivery and the use of an appropriate temperature reduction device see A5900. Spouts with integral sensors detect hands within the sensing range and the solenoid valve is opened. Automatically shuts off if sensor is obstructed for a maximum of 50 seconds. Must link to a mains version A4852 alternatively there are stand alone battery powered units. Flow rate regulated to 3.7 Litres per minute.



### ACCREDITATIONS



## Sensorflow 21 Compact Washbasin Spout Integral Sensor, Link

### FEATURES

---

