

## OSMO T1 concealed cistern

### Code

CIST200

### Description

Top access concealed reversible cistern with AXIS Technology™ creating multiple inlet options from the same unit. Perfectly designed to be mounted behind IPS, within compact voids or on timber & steel frames.

### Water Saving

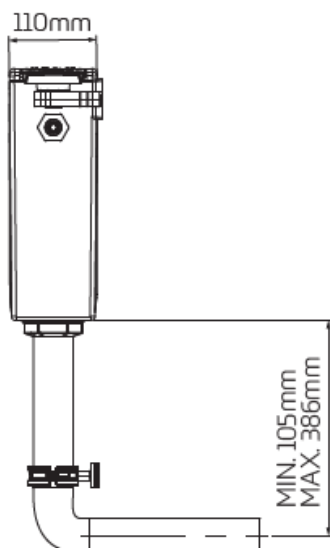
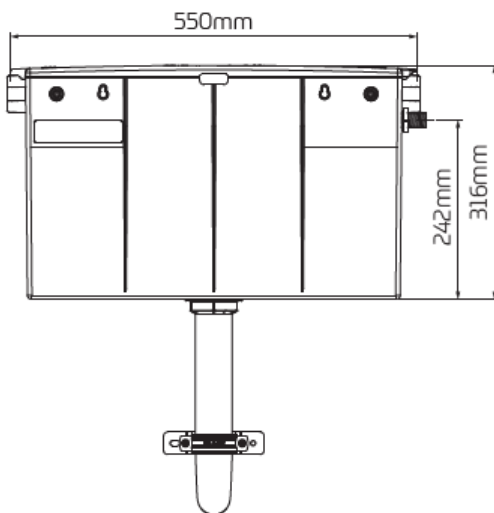
Excellent water saving from the factory set flush valve at 6/4ltr. Outstanding water saving can be achieved when setting the valve to 4/2.6ltr dual flush combined with the 7 second compact inlet valve.

### Features

- WRAS approved Dudley Niagara pneumatic flush valve
- WRAS Approved Dudley Hydroflo AG 7s Compact inlet valve (2020 WATER REGS)
- Fluid category 5 cistern
- Slim 110mm deep cistern body to fit into compact spaces
- Easy top access with reversible SnapLock lid™
- Flush Pipe Stability System (FPSS™) with SureLock™ Bracket
- Unique reversible cistern body due to AXIS Technology™ achieving multiple outlet and inlet options
- Factory Assembled
- Pneumatic push buttons/ plates can be installed up to 750mm away from cistern
- Multiple flushing volumes: 6/4, 5/3, 4/2.6ltr achieved with removable baffles at installation
- Compatible with a range of push buttons, flush plates and infrared controls
- 90° tight radius push fit flush pipe (Min.105mm - Max.386mm)

### Material

High Density Polystyrene (PS)



Please note: Product supplied with a plastic tail



call us 01474 338300  
 e-mail us sales@theswc.co.uk  
 visit us www.theswc.co.uk

the  
**sanitaryware**  
 company