

# Sensorflow 21 Washbasin Variable Temperature Mixer Electronic Sensor, Link

## ILLUSTRATED

**A4177** Sensorflow 21 washbasin mounted mixer with adjustable temperature integral sensor, anti-vandal laminar flow outlet, copper tube inlet, servicing valve and filter, link

## ILLUSTRATED PRODUCT DETAILS

### Weights

**A4177** 3.90 KG

### Finishes

**A4177**  Chrome (AA)

### Materials

**A4177** Chrome Plated Brass

### Flow rates

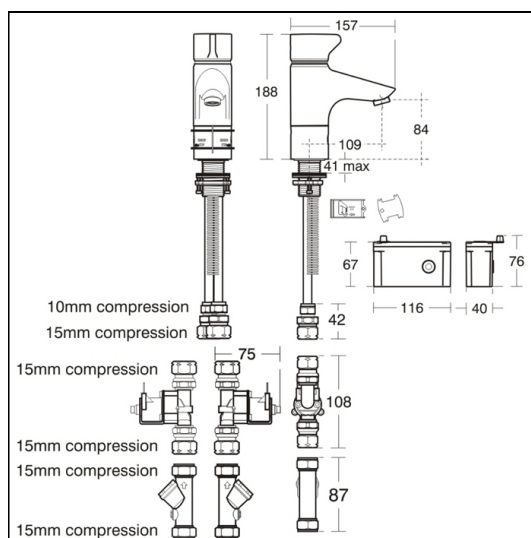
**A4177** 3.7 Litres per minute @ 3 bar pressure

## FINISH OPTIONS



### Special Notes

All spouts supplied complete with individual solenoid valve, copper tube inlet and combined servicing valve and filter. Spouts with integral sensors detect hands within the sensing range and the solenoid valve is opened. Automatically shuts off if sensor is obstructed for a maximum of 50 seconds. Must link to a mains version alternatively there are stand alone battery powered units. Flow rate regulated to 3.7 litres per minute at 1 bar minimum. Low pressure flow straightener available (B960860NU) which delivers 5 litres per minute at 0.1 bar pressure.



## FEATURES

