

Contour 21+ 50cm Back Outlet Washbasin

ILLUSTRATED

- S0430** (LB H M) Contour 21+ 50cm back outlet washbasin, no tapholes, anti-splash and anti-microbial glaze
- A6682** (TB H2A) Markwik 21+ panel mounted thermostatic basin mixer, single sequential lever, demountable with removable spout
- S0386** Contour 21+ waste pack with SmartGuard for wall mounted basin
- S0388** Contour 21+ basin fixation set

OPTIONS

- A6684** (TB H6) Markwik 21+ panel mounted thermostatic basin mixer, time flow sensor, demountable with removable spout
- A6735** (TB H2A) Markwik 21+ panel mounted thermostatic basin mixer, single sequential lever, demountable with fixed spout
- A6737** (TB H6) Markwik 21+ panel mounted thermostatic basin mixer, time flow sensor, demountable with fixed spout

ILLUSTRATED PRODUCT DETAILS

Sizes

S0430 d:400

Weights

S0430 13.00 KG

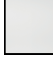
A6682 3.60 KG

Materials

S0430 Vitreous China

A6682 Chrome Plated Brass

Finishes

S0430  White with SmartGuard (HY)

A6682  Chrome (AA)

S0386  Neutral / No Finish (67)

S0388  Neutral / No Finish (67)

Designer

Robin Levien, RDI

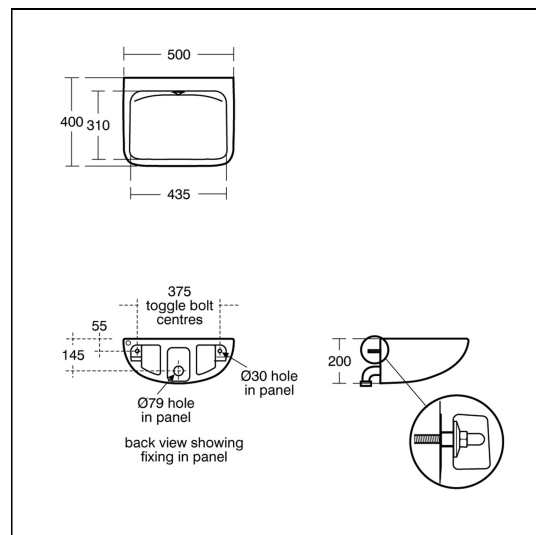
Standards

Vitreous china to BS3402. Washbasin to BS EN 14688 and BS EN 31

Special Notes

Suggested rim heights; 780-800mm.

Washbasin panel mounted using the S0388 Contour 21+



FEATURES



Contour 21+ 50cm Back Outlet Washbasin

fixation set.



E: info@idealspec.co.uk | T: 0870 122 8822 | F: 0870 122 8282 | www.idealspec.co.uk

Ideal Standard (UK) Ltd. makes every effort to ensure that the information provided on its website is accurate. However, we cannot guarantee this, and accept no liability for any information or advice given via its website.

*Armitage
Shanks*