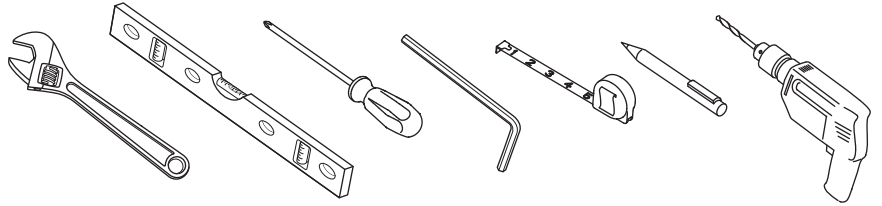
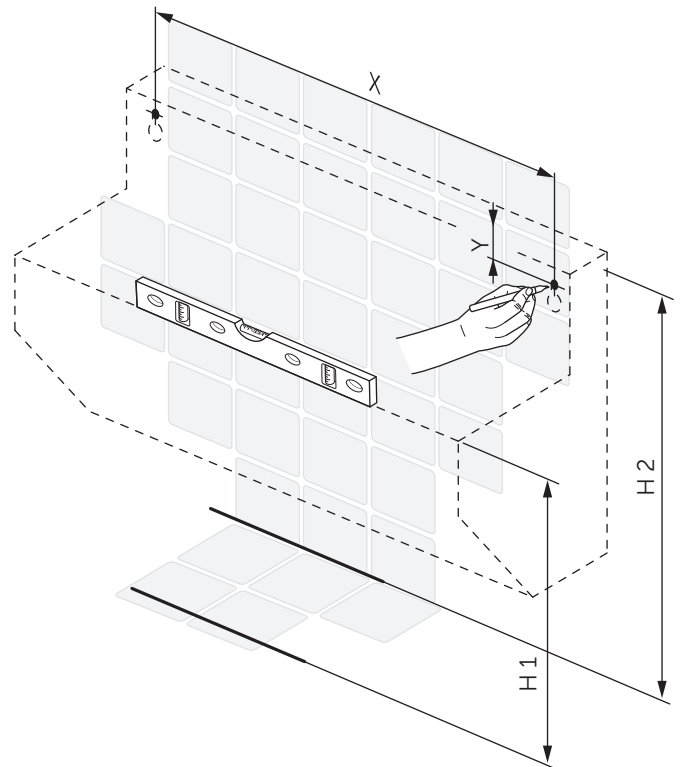
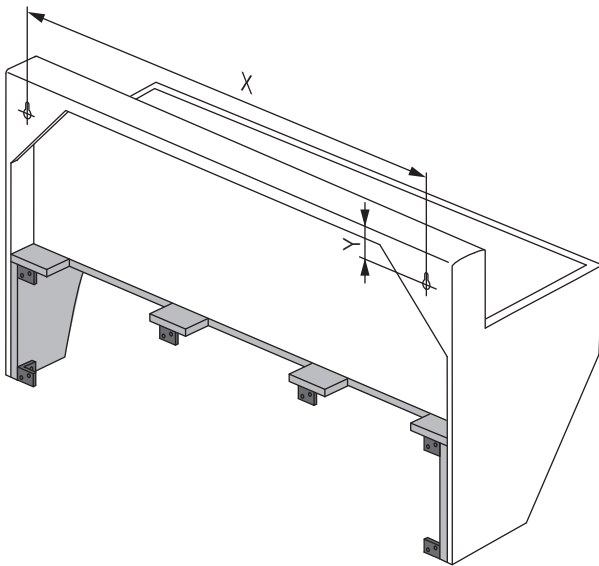


CONTOUR 21



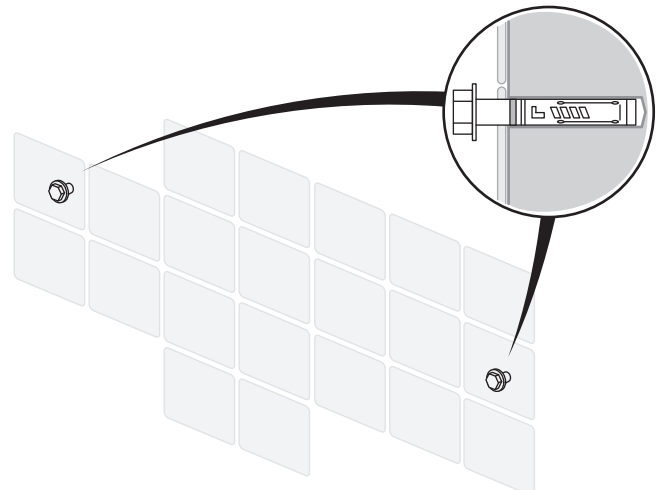
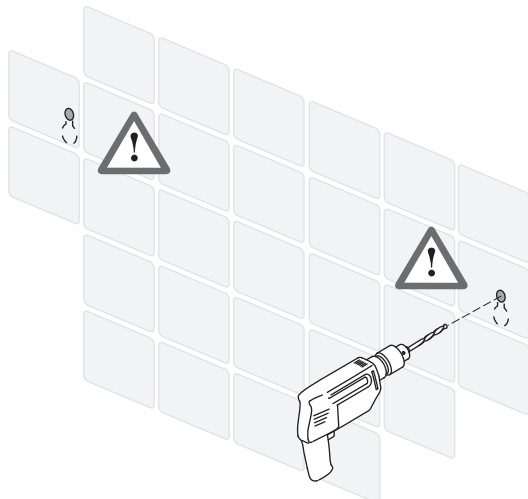
1 Check / measure top of key hole positions in back of Trough.

2 Transfer those positions to wall to give required front rim height. Mark positions on wall.



3 Carefully drill wall.

4 Insert and tighten fixations to ensure expansion sleeves are 'locked in'.

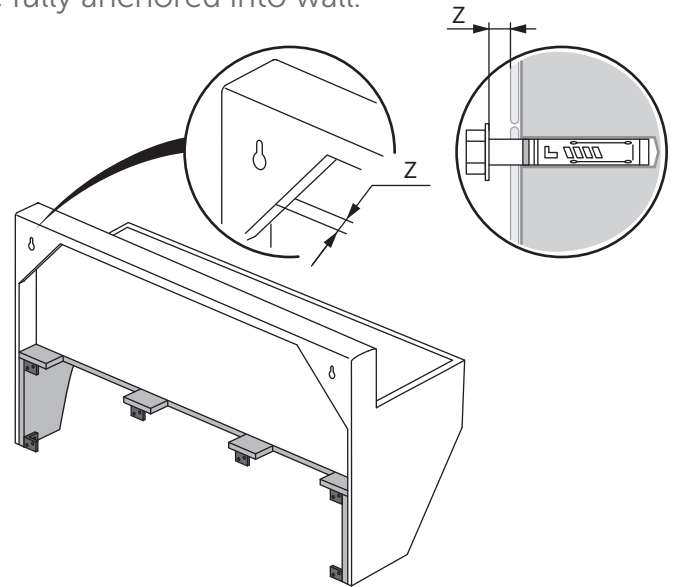


Bolt under head distance to wall needs to be sufficient to accommodate thickness of trough material. Ensure fixing points are level and bolts are fully anchored into wall.

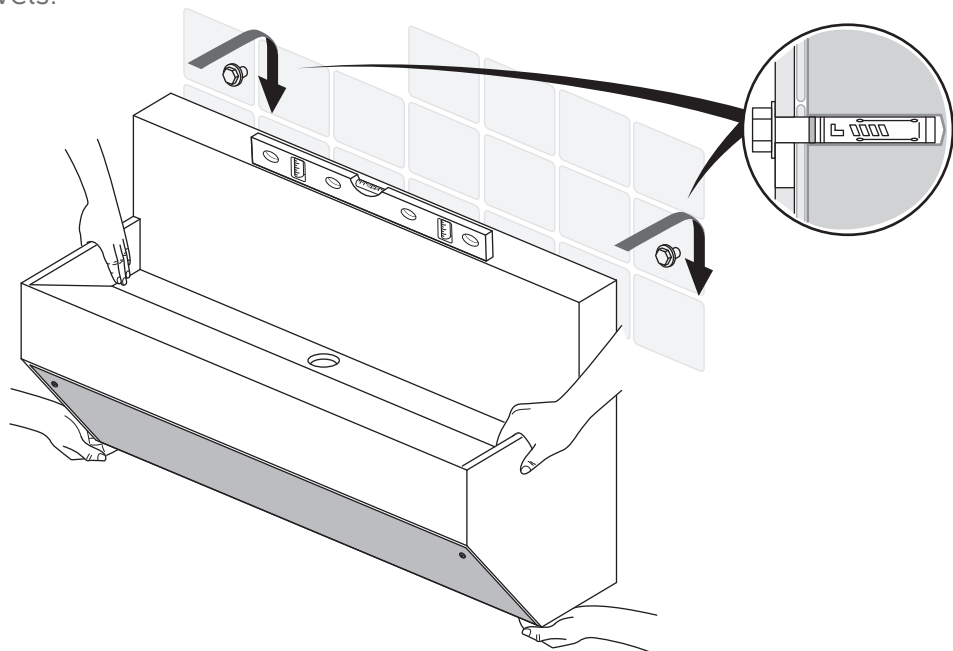
IMPORTANT NOTE:

It is vitally important that when fixing the Wash Trough to a solid wall, substantial fixings (such as the Fischer TA M6 S/10) are used in the two key-hole anchor points. Failure to do so could result in the Wash Trough falling from the wall.

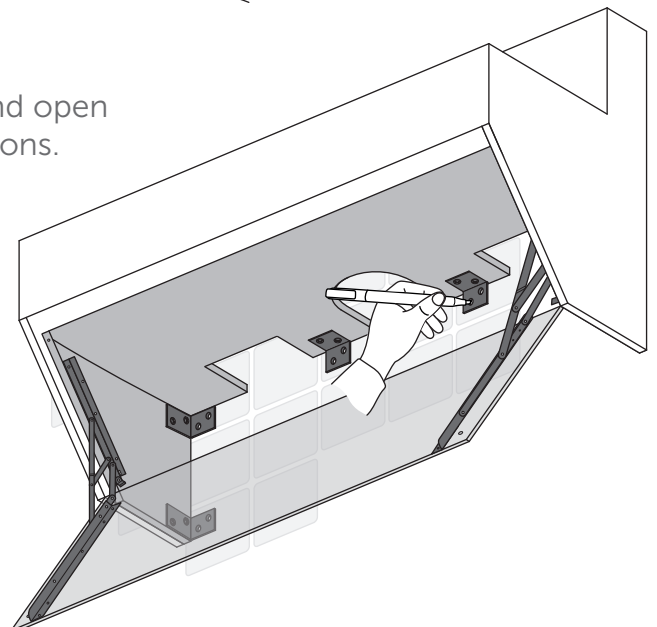
The bolts used in the keyholes can be adjusted after the trough has been hung, this can help reduce the gap to wall. This can be done via cut outs in the plywood sub frame.



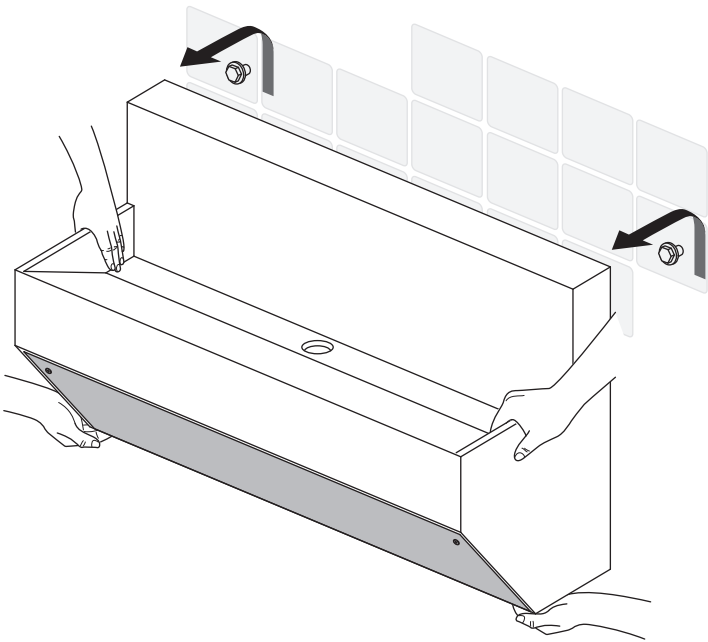
- 5** Mount Trough, ensuing fixations are fully located in keyholes and wall fit is acceptable, check heights/levels.



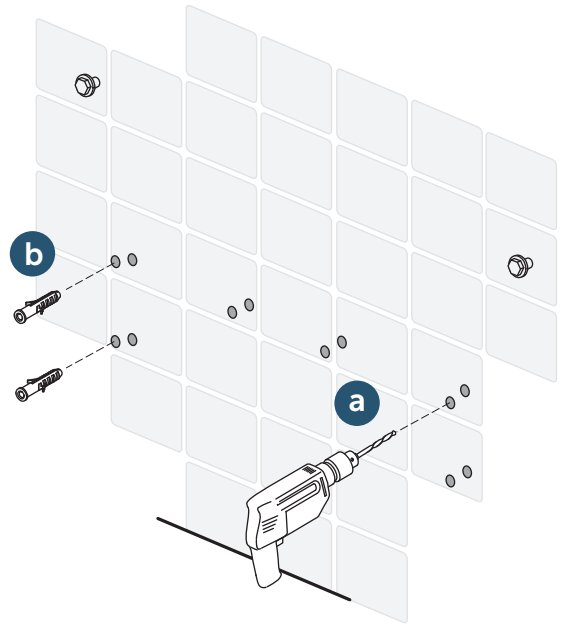
- 6** Undo the retaining bolts with an allen key and open the hinged front panel. Mark L bracket positions.



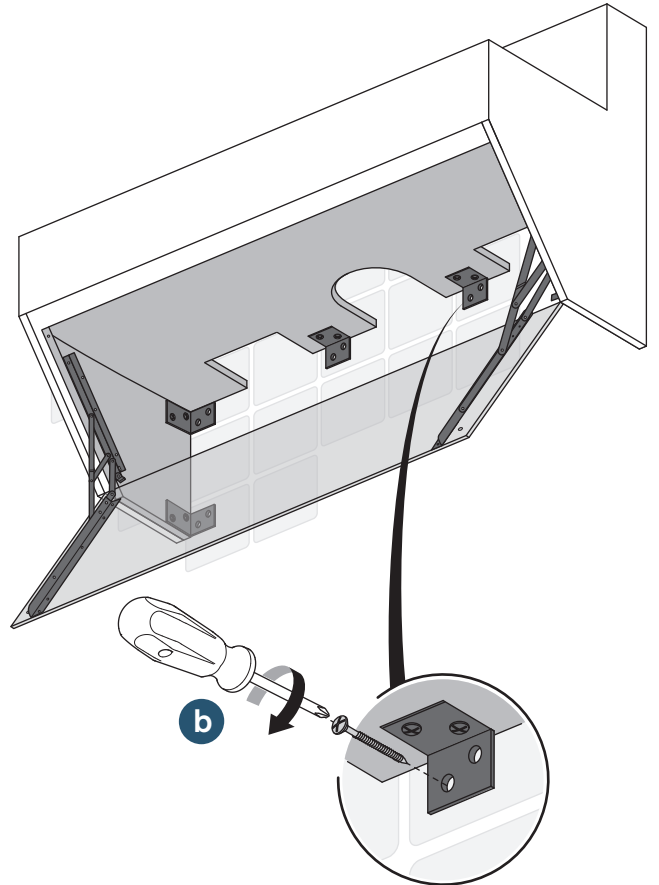
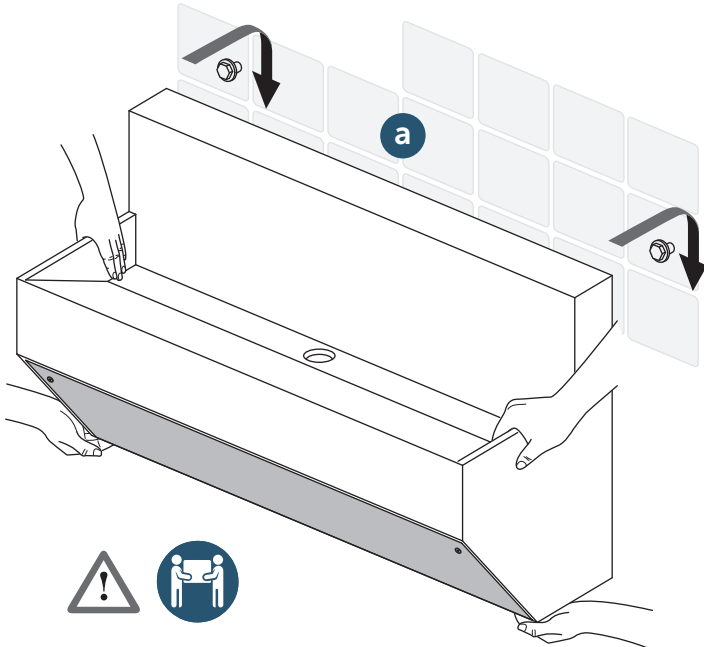
7 Remove Trough.  



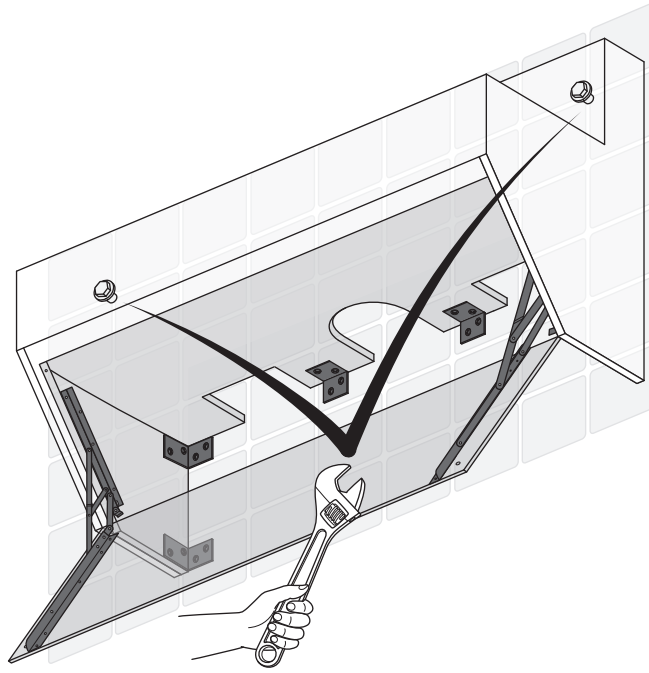
8 Drill and plug L bracket holes in wall.



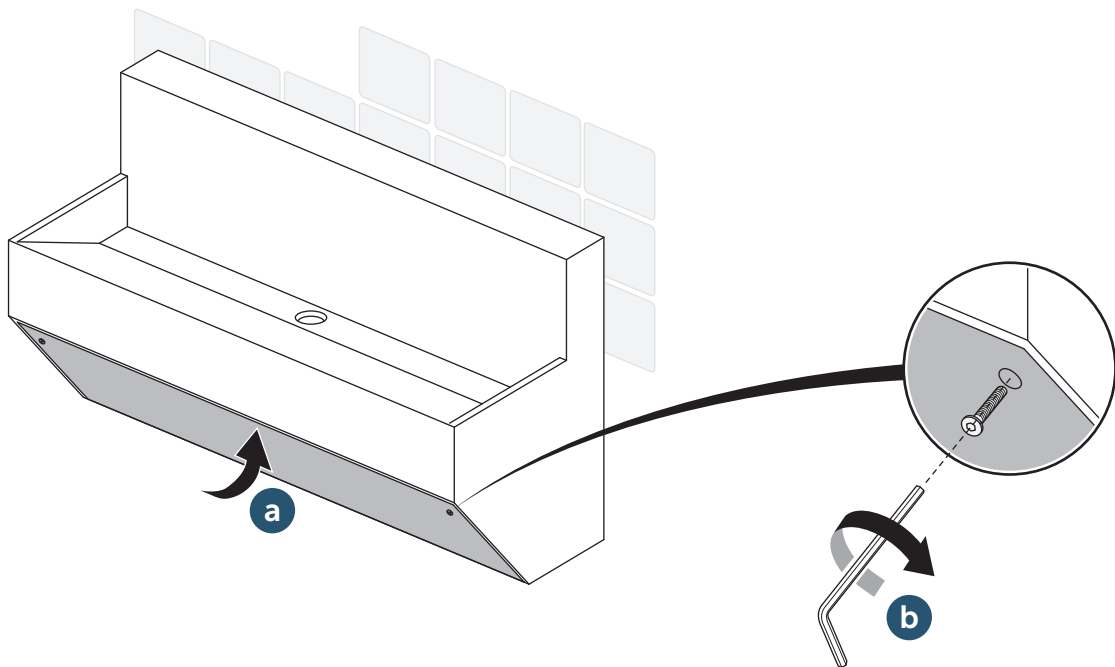
9 Mount Trough and screw to wall.



- 10 If required, tighten key hole fixing points with the hinged front panel open.



- 11 Close the front panel and tighten retaining bolts with M4 Hex allen key.



CUSTOMER CARE HELPLINE

+44 (0)844 543 6170

FAX LINE +44 (0)844 543 6171

email: aftersalesnonresidential@armitageshanks.co.uk

*Armitage
Shanks*

We pursue a policy of continuing improvement in design and performance of our products. The right is, therefore, reserved to vary specifications without notice.