

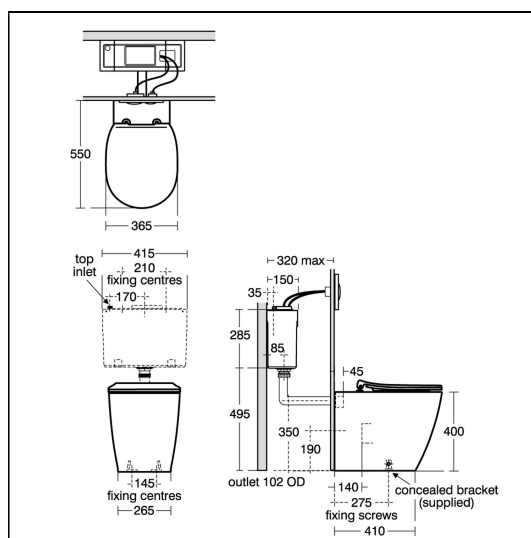
Concept Back To Wall Pan With Aquablade Technology

ILLUSTRATED

- E0509** Concept back to wall wc pan with horizontal outlet and Aquablade technology
- S3643** Conceala 2 cistern 4.5/3 or 4/2.6 litre dual flush valve side supply and internal overflow, alternative height plastic flushbends, no flushplate
- E7726** Concept, slim seat and cover, slow close
- E4437** Contemporary flush plate dual flush, Ideal Standard logo for Conceala 2 cisterns

OPTIONS

- S3624** Conceala 2 cistern 6/4 litre dual flush valve top inlet and internal overflow, alternative height plastic flushbends
- S3640** Conceala 2 cistern 4.5 litre single flush valve side supply and internal overflow, alternative height plastic flushbends
- S4270** Conceala 2 cistern 4.5 litre single flush valve delay fill bottom supply and internal overflow, alternative height plastic flushbends
- S3599** Sensorflow 21 WC flushing device, panel mounted sensor complete with concealed valve and 4 or 4.5 litre duct cistern
- S3604** Sensorflow 21 WC flushing device, panel mounted sensor complete with concealed valve and 4 or 4.5 litre delay fill duct cistern
- S3636** Conceala 2 cistern delay fill 4.5/3 or 4/2.6 litre dual flush valve bottom supply and internal overflow, alternative height plastic flushbends, no flushplate
- E7725** Concept, slim seat and cover
- E7917** Concept, seat and cover, slow close
- E7918** Concept, seat and cover
- E4465** Karisma flush plate dual flush, branded for Conceala 2 cisterns, chrome
- E3222** Panekta outlet Connector, finned pattern to convert horizontal outlet WCs to P trap
- S4300** Panekta outlet Connector, finned pattern to convert horizontal outlet WCs to S or turned P trap



ILLUSTRATED PRODUCT DETAILS

Weights

- E0509** 26.30 KG
- S3643** 2.70 KG
- E7726** 2.10 KG
- E4437** 0.46 KG

Materials

- E0509** Vitreous China
- S3643** Plastic
- E7726** Plastic
- E4437** Chrome Plated Plastic

Finishes

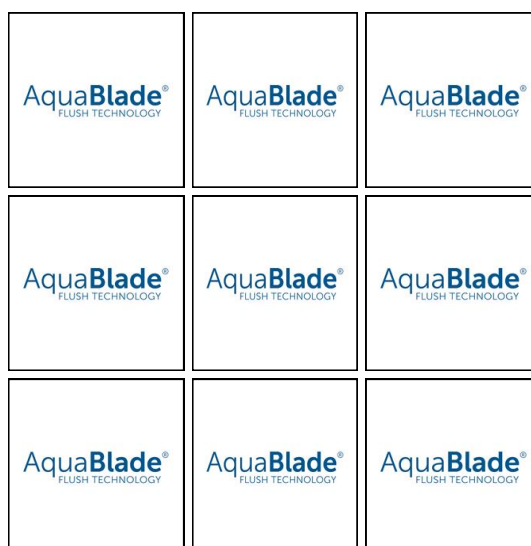
- E0509** White (01)
- S3643** Neutral / No Finish (67)
- E7726** White (01)
- E4437** Chrome (AA)

Capacity

- S3643** 4 litres

Designer

Robin Levien, RDI



Concept Back To Wall Pan With Aquablade Technology

FINISH OPTIONS



(BX) Brushed Nickel

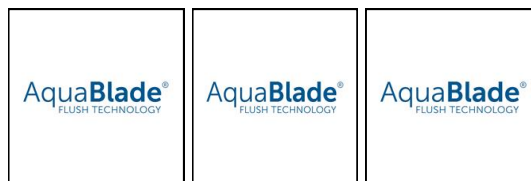
(AA) Chrome

Standards

Vitreous china to BS 3402. WC pan to BS EN 997 & BS EN 33

Special Notes

WC pan screwed to floor using concealed brackets (supplied). Joint to wall sealed with waterproof sealant (not supplied). Can be used with Concept furniture WC units.



ACCREDITATIONS

S3624(67)	water label		4.5	Average Flushing Volume (Litres)
S3643(67)	water label		3.0	Average Flushing Volume (Litres)
S3640(67)	water label		4.5	Average Flushing Volume (Litres)
S4270(67)	water label		4.5	Average Flushing Volume (Litres)
S3599(67)	water label		4.5	Average Flushing Volume (Litres)
S3604(67)	water label		4.0	Average Flushing Volume (Litres)
S3636(67)	water label		3.4	Average Flushing Volume (Litres)



FEATURES

