

Chartham wall hung basin 500 back outlet

Code
CHWB107

Description

Chartham 500mm back outlet basin, no tapholes, no overflow or chain hole

Features

- HBN compliant
- HTM compliant
- No tap hole or overflow
- Back outlet for fully concealed pipework and fixings

Trap options

A10R: 1 ¼" resealing plastic bottle trap

Waste options

TSWC110: waste adapter and fixings kit

Basin fixings

Included with TSWC110

Material

Vitreous china to BS 3402

Finish

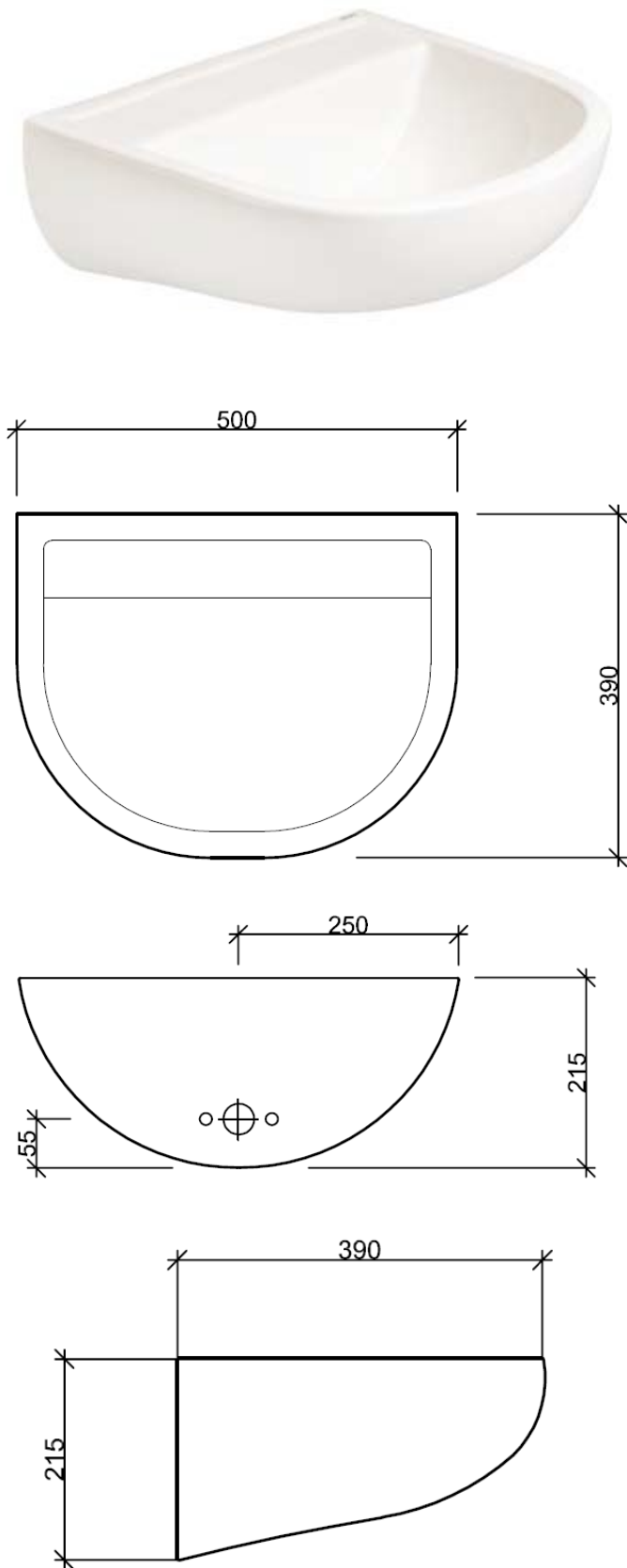
Alpine White

Size

500 x 215 x 390mm

Weight

10kg



e-mail us
visit us