

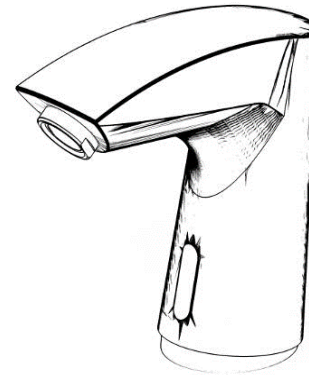
Back Page

SENSOR 1D  
SENSOR ACTIVATED TAP - DUAL POWER

Installation and Maintenance Guide



Brooklands Mill  
English Street  
Lancashire  
WN73EH



Please retain this document for future reference.

This product should be fitted in compliance with Water Regulations, by a qualified plumber.

Use only a clean damp cloth to maintain the surface finish, use of abrasive cleaning materials will invalidate your guarantee.

Customer Care Line  
0800 1951602

Website

**Installation**

Prior to installation you should fully flush the system to ensure there is no debris in the system that could cause damage to the product.

Installation should be carried out by a competent installer who after installation should check for leaks on both the product and the pipe work.

The product must be installed and used in a way as to not cause water damage. Therefore water from the product must be suitably directed and/or contained.

**Sensor Adjustment**

The sensor beam length can be adjusted.

To do this the sensor light panel must be removed from the mixer body.

Once removed a screw is located on the rear of the sensor panel, this can be turned to adjust the sensor beam length.

Turn the screw clockwise to shorten the beam length.

Replace the sensor panel and ensure correctly located.

**TROUBLE SHOOTING**

Descriptio:	Possible Cause	Solution
No water and/or no light flashing on L/R sensor	No power supply and/or batteries are exhausted	Replace batteries
	No water supply to product	Check water supply
	Battery pack is faulty	replace battery pack
	Connectors from mains/battery pack have been attached wrongly crossing the positive and negative terminals	Change the orientation of the power supply connector
Small amount of water	Inlet filter is blocked	Clear inlet filter
	Water pressure is too low	Raise water pressure
Water will not shut off	Sensor window is dirty	Clean sensor window
	I/R beam is being reflected. NB any degree of reflection /reflective surface including high visibility can cause the tap to operate.	Move the item reflecting the beam
	Product has been installed incorrectly causing the beam to reflect off the basin.	Refer to fitting instructions

### Technical specification

This product is powered using 240 Volts mains supply and has a backup pack of 6 Volts DC (4 x AA batteries)

The sensing distance for this product is 7 - 23cm

The recommended water pressure range is 0.5 bar - 7.0 bar

The recommended temperature range is 1 °C - 45 °C

### Water saving

This product is a water saving product by using an infra red sensor to detect when your hands are in front of the product and turning on the water flow, once your hands are moved away from the product the sensor will realise this and shut off the water flow.

If the sensor gets blocked by an object then the water will shut off after 70 seconds, to reset the product remove the obstruction and leave the mixer for 4 seconds. After 4 seconds the product will have reset and the water should flow again.

### Product features

Product is mains operated with battery backup

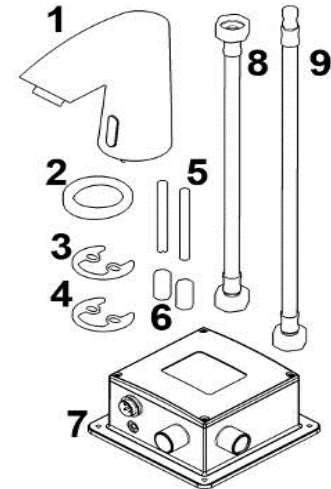
Vandal and scratch resistant sensor window

Moisture and water resistant control unit

Battery operation requires 4 x AA batteries

### Box contents

1. SENSOR1/D
2. Tapered base ring
3. Brass horse shoe washer
4. Rubber horse shoe washer
5. M8x1 Threaded bars
6. Brass fixing nuts
7. Control box/solenoid housing
8. ½" x ½" Flexi tail
9. ½" x M10x1 Flexi tail
10. Power lead with transformer



**Fitting instructions**

**Step 1**

Fit the 2 threaded bars from the fixing Kit and the M10 flexi tail then place into the hole in the mounting surface, making sure the tapered rubber base ring is in place with the thickest part of the taper at the front. This is very important for the product to function correctly.



**Step 2**

Place the rubber horse shoe washer onto the fixing bolts followed by the brass horse shoe washer



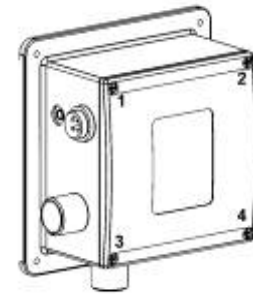
**Step 3**

Screw the fixing nuts onto the fixing bolts and tighten. Only use enough pressure to hold the product to prevent any damage to the product or mounting surface



**Step 4**

Before fixing the control unit to the wall remove the 4 screws on the cover plate and install the backup batteries into the battery unit. Once this is done replace the cover and fix the unit to the wall making sure the wires can reach from the product to the unit.



**Step 5**

Attach the various connector and hoses to the control box ensuring the water goes to the correct connection

- A. Power socket
- B. Mainframe connector
- C. Water outlet
- D. Water inlet (including filter)



**Step 6**

Once the product has been connected the products function several times. It is also advisable to cut the water to the product and test the battery backup unit to ensure batteries are sufficiently charged.

