



Chartham Vessel Basin, No TH

Code
CHWB120

Description

Chartham countertop mounted vessel vanity basin, no tap hole or overflow.

Features

- Contemporary design
- No overflow
- Install to sit on countertop
- Bottom outlet for ease of maintenance
- Suitable for all sectors excluding healthcare

Trap Options

A10R: 1 1/4" resealing plastic bottle trap

TSWC112: 1 1/4" metal bottle trap

TSWC114: 1 1/4" modern metal bottle trap

Waste Options

TSWC102: 1 1/4" strainer waste 80mm, unslotted

TSWC104: 1 1/4" swivel waste, unslotted

TSWC106: 1 1/4" plug and chain waste, unslotted

TSWC108: 1 1/4" click clack waste, unslotted

TSWC121: 1 1/4" ceramic topped click clack waste, unslotted

Material

Vitreous china to BS 3402

Finish

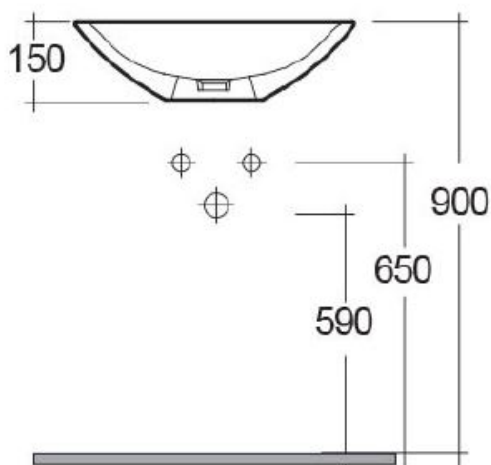
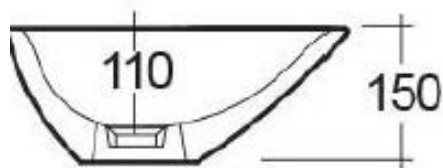
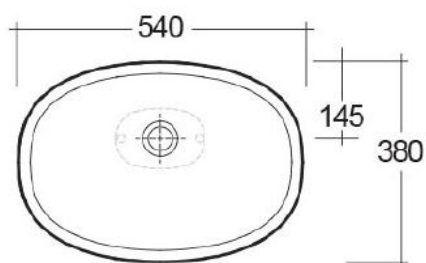
Alpine White

Size

540 x 380 x 150mm

Weight

9 kg



Dimensions: All dimensions in mm tolerance $\pm 5\%$ for below 200mm and $\pm 3\%$ for above 200mm.

