

Contour 21+ Basin Pillar Taps

ILLUSTRATED

BC123 Contour 21+ basin pillar taps

ILLUSTRATED PRODUCT DETAILS

Weights

BC123 1.73 KG

Materials

BC123 Chrome Plated Brass

Finishes

BC123  Chrome (AA)

Flow rates

BC123 4 Litres per minute @ 3 bar pressure

Designer

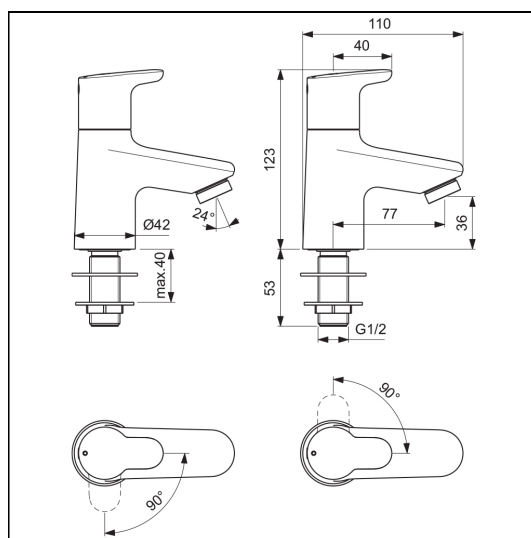
Artefakt Industriekultur

Standards

Manufactured in accordance to BS EN 200

Special Notes

Suitable for balanced/unbalanced supplies. Inlets 1/2" BSP male, coned for copper. Pillar taps come supplied with brass back nuts. Consideration should be given to safe hot water delivery and the use of an appropriate temperature reduction device, please see A5900AA (for use with 15mm pipework) or A5901AA (for use with 22mm pipework). Flow rate without optional inlet limiter fitted is dependent on water pressure, with inlet tail flow limiter fitted the maximum flow rate is 4 litres per minute per tap at minimum 1 bar pressure.



ACCREDITATIONS



FEATURES

