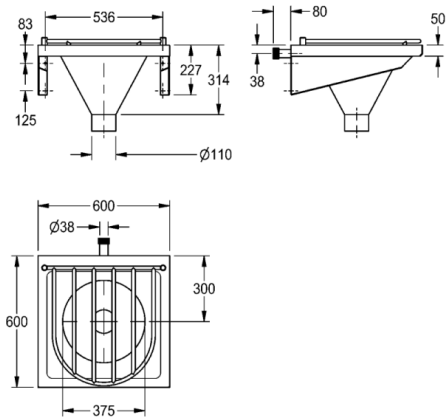


Disposal Unit

MODEL RANGE: TUBS-BASINS | G2204 1N | 207.0000.075

Utility sinks | Multi purpose sink



A wall hung domestic services disposal unit manufactured from 1.2mm thick, grade 1.4301 (304) stainless steel with satin polish finish. Incorporating a sluice hopper which is suitable for duct mounted services. The hopper has a 110mm dia. outlet which can accept a P trap, available as an extra. For installations where the cistern is duct mounted a plastic cistern with plastic downpipe is available. Plastic cistern have a 9 litres capacity and are fitted with 13mm HP brass valve, plastic float and CP metal flushing lever handles. The unit should only be fed from a cistern or tank water supply. The unit is fixed to the wall using two cantilevered brackets, available as extra. Wall fixings are not supplied. Suitable for duct mounting

Technical data

Bowl height	300.00 mm
Bowl width	375.00 mm
Material thickness	1.20 mm
Overall depth	600.00 mm
Overall height	300.00 mm
Overall width	600.00 mm
Material	Stainless steel
Material code	1.4301 Chrome Nickel steel V2A
Tailor made	No
Bowl finish	Satin finish
Surface finish	Satin finished
Drainer or storage	No
Outlet size	DN 100
Minimum flushing capacity	6.00 liter
Product code	207.0000.075

KWC. The new name of Franke Water Systems