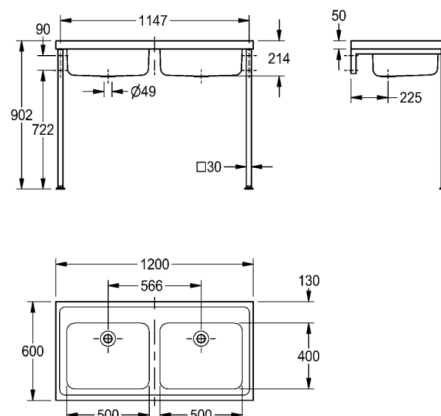


Hospital sink

MODEL RANGE: | G22004N | 215.0000.017

Utility sinks | Multi purpose sink



A double bowl sink manufactured from 1.2 mm thick, grade 1.4301 (304) stainless steel, satin polish finish. The sink top is turned down on all four edges and incorporates a wet area recess. The bowls are prepared for a 38 mm waste outlet.

NOTE: It is not possible to fit an overflow. The sink top can either be mounted on wall brackets or front leg supports - see extras listed below.

Technical data

Bowl height	200.00 mm
Bowl depth	500.00 mm
Bowl width	400.00 mm
Material thickness	1.20 mm
Overall depth	600.00 mm
Overall height	218.00 mm
Overall width	1,200.00 mm
Material	Stainless steel
Material code	1.4301 Chrome Nickel steel V2A
Tailor made	No
Tap ledge	No
Waste hole position	Center back
Bowl finish	Satin finish
Surface finish	Satin finished
Waste size	DN 32
Drainer or storage	No
Drainer / storage board quantity	0
Waste hole position 2	Centre back
Product code	215.0000.017

KWC. The new name of Franke Water Systems