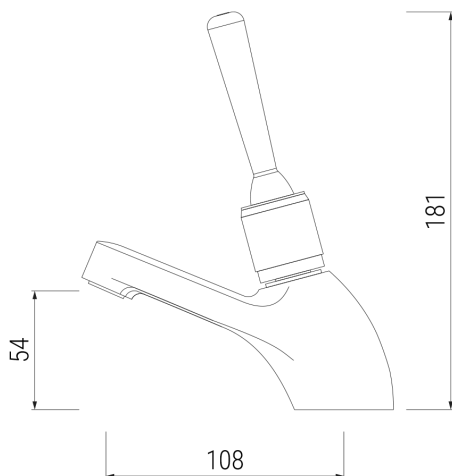


Self Closing Toggle Basin Tap

Code
SCBW107

Description
Self closing toggle deck mounted tap for pre-mixed water.

- Features**
- Simple smooth operation
 - Closes automatically
 - DDA compliant
 - WRAS approved
 - Approved by the European Water Label Scheme
 - 2ltr, 4ltr & 5ltr/min flow regulars available



Technical Specification:

Max operating pressure: 10.0 bar static
 Min operating pressure: 0.1 bar dynamic
 Max inlet temperature: 65°C
 Timed flow (standard): 15 seconds at 1 bar

Finish:
Chrome

Flow Rate (Bar – Ltr/Min):

Bar	0.1	0.3	0.5	1.0	2.0	3.0
Flow rate	3	6	8	10	14	18

